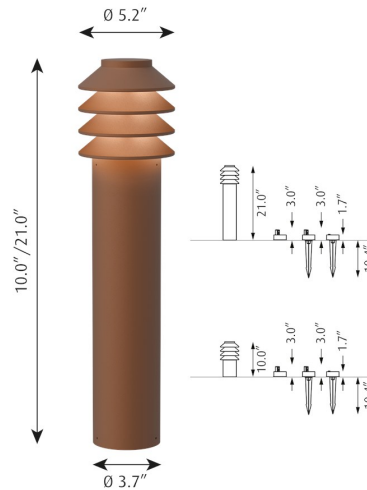


BYSTED GARDEN BOLLARD

Designed by Peter Bysted



Description

The fixture has a round symmetrical design with four rings reflecting the light in a soft downward direction. The rings have a soft glow while their white undersides achieve optimal light reflection and produce a characteristic symmetrical light pattern on the ground.

Variants

VARIANT NUMBER	COLOR, RAL	W / H / L (IN) / W (LB)
5747404508	CORTEN COLOR, 954	5.2 / 10 / 5.2 IN / 0.0 LB
5747404511	CORTEN COLOR, 954	5.2 / 10 / 5.2 IN / 6.2 LB
5747404524	CORTEN COLOR, 954	5.2 / 10 / 5.2 IN / 8.8 LB
5747404537	CORTEN COLOR, 954	5.2 / 10 / 5.2 IN / 8.8 LB
5747404566	CORTEN COLOR, 954	5.2 / 21 / 5.2 IN / 8.8 LB
5747404579	CORTEN COLOR, 954	5.2 / 21 / 5.2 IN / 8.8 LB
5747404582	CORTEN COLOR, 954	5.2 / 21 / 5.2 IN / 10.1 LB
5747404595	CORTEN COLOR, 954	5.2 / 21 / 5.2 IN / 10.1 LB
5747404809	NAT PAINT ALU, 162	5.2 / 10 / 5.2 IN / 6.2 LB
5747404812	NAT PAINT ALU, 162	5.2 / 10 / 5.2 IN / 6.2 LB
5747404825	NAT PAINT ALU, 162	5.2 / 10 / 5.2 IN / 6.2 LB
5747404838	NAT PAINT ALU, 162	5.2 / 10 / 5.2 IN / 8.8 LB
5747404841	NAT PAINT ALU, 162	5.2 / 10 / 5.2 IN / 8.8 LB
5747404854	NAT PAINT ALU, 162	5.2 / 10 / 5.2 IN / 8.8 LB
5747404896	NAT PAINT ALU, 162	5.2 / 21 / 5.2 IN / 8.8 LB
5747404906	NAT PAINT ALU, 162	5.2 / 21 / 5.2 IN / 8.8 LB
5747404919	NAT PAINT ALU, 162	5.2 / 21 / 5.2 IN / 8.8 LB
5747404922	NAT PAINT ALU, 162	5.2 / 21 / 5.2 IN / 10.1 LB

5747404935	NAT PAINT ALU, 162	5.2 / 21 / 5.2 IN / 10.1 LB
5747404948	NAT PAINT ALU, 162	5.2 / 21 / 5.2 IN / 10.1 LB
5747409503	BLK, 731	5.2 / 10 / 5.2 IN / 3.1 LB
5747409516	BLK, 731	5.2 / 10 / 5.2 IN / 3.1 LB
5747409532	BLK, 731	5.2 / 10 / 5.2 IN / 4.4 LB
5747409545	BLK, 731	5.2 / 10 / 5.2 IN / 4.4 LB
5747409561	BLK, 731	5.2 / 10 / 5.2 IN / 4.4 LB
5747409574	BLK, 731	5.2 / 10 / 5.2 IN / 4.4 LB
5747409590	BLK, 731	5.2 / 21 / 5.2 IN / 4.4 LB
5747409600	BLK, 731	5.2 / 21 / 5.2 IN / 4.4 LB
5747409626	BLK, 731	5.2 / 21 / 5.2 IN / 5.7 LB
5747409639	BLK, 731	5.2 / 21 / 5.2 IN / 5.7 LB
5747409655	BLK, 731	5.2 / 21 / 5.2 IN / 5.7 LB
5747409668	BLK, 731	5.2 / 21 / 5.2 IN / 5.7 LB

Materials & Finishes

MATERIALS

Top: Cast aluminum. Reflector part: Cast aluminum. Post: Extruded aluminum. Base plate, spike, and anchor: Cast aluminum. Diffuser: PC

FINISHES

Top: Cast aluminum. Reflector part: Cast aluminum. Post: Extruded aluminum. Base plate, spike, and anchor: Cast aluminum. Diffuser: PC

Mounting

The bollard requires a separate, 24V DC power supply.

Choice of 3 different mounting types.

Spike mounted bollard(Plug&Play): For use in soil or gravel; includes weather-proof cables and connectors for above-ground runs.

Anchor mounted bollard(certified electrician): for casting in new concrete pad.

Base mounted bollard(certified electrician): Includes baseplate for anchoring to decks and floors.

Anchor or Base mounted bollards: installation determined by certified electrician with below ground cabling and conduit. For mounting instructions, see download section on the product detail page.

Information

Electrical:

System Wattage: 14W

LED Wattage: 13W

Delivered lumens: 247 - 324 lm

Efficacy: 18 - 23 lm/W

Certifications: cULus, Wet Location

Protection class IP65

IK class 06

BUG Rating: B0-U2-G0

Color Rendering: Ra≥80

LED is non-dimming.

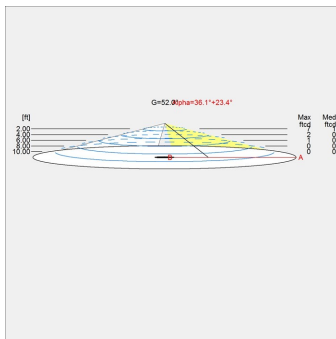
Low Voltage power supply 24VDC is remote mounted for multiple bollards per supply. Spike

louis poulsen

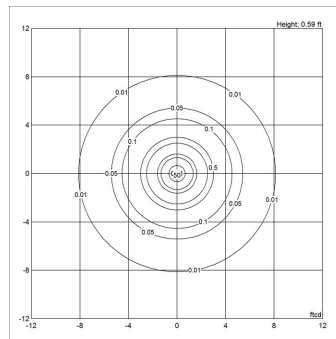
mounted bollards use provided weather-proof cables and connectors for above-ground runs. Plug and play. Anchor or Base mounted bollards: installation determined by certified electrician with below ground cabling and conduit. Consult factory for remote power supply information, maximum bollards and cable distances. For the E-socket product variants, bulbs are not included. LED light source is part of the product.

Light distribution diagrams

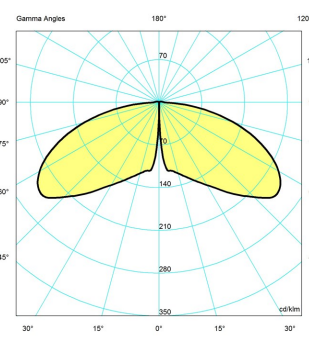
CARTESIAN



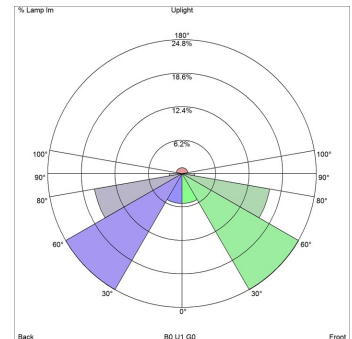
ISOLUX



POLAR



BUG



Variant Options

For particular variant options, please check our online Product Variants Configurator on the product detail page.

VARIANT NO.	LIGHT SOURCE	VOLTAGE/FRQ	LUMEN	FEATURES	CABLE
5747404508	LED 3000K 14W	24V	259	-	-
5747404511	LED 2700K 14W	24V	247	-	-
5747404524	LED 3000K 14W	24V	259	-	-
5747404537	LED 2700K 14W	24V	247	-	-
5747404566	LED 3000K 14W	24V	259	-	-
5747404579	LED 2700K 14W	24V	247	-	-
5747404582	LED 3000K 14W	24V	259	-	-
5747404595	LED 2700K 14W	24V	247	-	-
5747404809	LED 4000K 14W	24V	324	-	-
5747404812	LED 3000K 14W	24V	288	-	-
5747404825	LED 2700K 14W	24V	275	-	-
5747404838	LED 4000K 14W	24V	324	-	-
5747404841	LED 3000K 14W	24V	288	-	-
5747404854	LED 2700K 14W	24V	275	-	-
5747404896	LED 4000K 14W	24V	324	-	-
5747404906	LED 3000K 14W	24V	288	-	-
5747404919	LED 2700K 14W	24V	275	-	-
5747404922	LED 4000K 14W	24V	324	-	-
5747404935	LED 3000K 14W	24V	288	-	-
5747404948	LED 2700K 14W	24V	275	-	-
5747409503		24V		-	-
5747409516		24V		-	-
5747409532		24V		-	-
5747409545		24V		-	-

louis poulsen

5747409561	24V	-	-
5747409574	24V	-	-
5747409590	24V	-	-
5747409600	24V	-	-
5747409626	24V	-	-
5747409639	24V	-	-
5747409655	24V	-	-
5747409668	24V	-	-

Specification Notes

a. 4000K LED available only in Natural Paint Aluminum finish.

BYSTED GARDEN BOLLARD

LONG / 24V / Black texture / - / Spike w/o power supply / - / 5747409655

The fixture has a round symmetrical design with four rings reflecting the light in a soft downward direction. The rings have a soft glow while their white undersides achieve optimal light reflection and produce a characteristic symmetrical light pattern on the ground.



Peter Bysted

Peter Bysted graduated as an architect and industrial designer from The Aarhus School of Architecture in 1978. Three years prior, in a contest arranged by Louis Poulsen concerning the illumination of quarters worthy of preservation, he won second prize with 'Bysted', a bollard made from cor-ten steel, suggesting his interest in lighting design even then.



Product info

Environmental Product Specification

This product is compliant with the requirements contained in the European Directives, RoHS Directive 2011/65 and 2015/863. This product is designed so that 100% of the product can be disassembled and reused.

Information

Electrical: System Wattage: 14W LED Wattage: 13W Delivered lumens: 247 - 324 lm Efficacy: 18 - 23 lm/W
 Certifications: cULus, Wet Location Protection class IP65 IK class 06 BUG Rating: B0-U2-G0 Color Rendering: Ra>80 LED is non-dimming. Low Voltage power supply 24VDC is remote mounted for multiple bollards per supply. Spike mounted bollards use provided weather-proof cables and connectors for above-ground runs. Plug and play. Anchor or Base mounted bollards: installation determined by certified electrician with below ground cabling and conduit. Consult factory for remote power supply information, maximum bollards and cable distances.

Mounting

The bollard requires a separate, 24V DC power supply. Choice of 3 different mounting types. Spike mounted bollard(Plug&Play): For use in soil or gravel; includes weather-proof cables and connectors for above-ground runs. Anchor mounted bollard(certified electrician): for casting in new concrete pad. Base mounted bollard(certified electrician): Includes baseplate for anchoring to decks and floors. Anchor or Base mounted bollards: installation determined by certified electrician with below ground cabling and conduit.

Finish

Top: Cast aluminum. Reflector part: Cast aluminum. Post: Extruded aluminum. Base plate, spike, and anchor: Cast aluminum. Diffuser: PC

Materials

Top: Cast aluminum. Reflector part: Cast aluminum. Post: Extruded aluminum. Base plate, spike, and anchor: Cast aluminum. Diffuser: PC

Sizes and weight

Width x Height x Length (in.) | 5.2 x 10 x 5.2 Max 8.8 lbs | 5.2 x 21 x 5.2 Max 10.1 lbs

Compliance

cULus, Wet location.

Specification notes

a. 4000K LED available only in Natural Paint Aluminum finish.

Information

Electrical:

System Wattage: 14W

LED Wattage: 13W

Delivered lumens: 247 - 324 lm

Efficacy: 18 - 23 lm/W

Certifications: cULus, Wet Location

Protection class IP65

IK class 06

BUG Rating: B0-U2-G0

Color Rendering: Ra>80

LED is non-dimming.

Low Voltage power supply 24VDC is remote mounted for multiple bollards per supply. Spike mounted bollards use provided weather-proof cables and connectors for above-ground runs. Plug and play. Anchor or Base mounted bollards: installation determined by certified electrician with below ground cabling and conduit. Consult factory for remote power supply information, maximum bollards and cable distances.



Spare parts & accessories

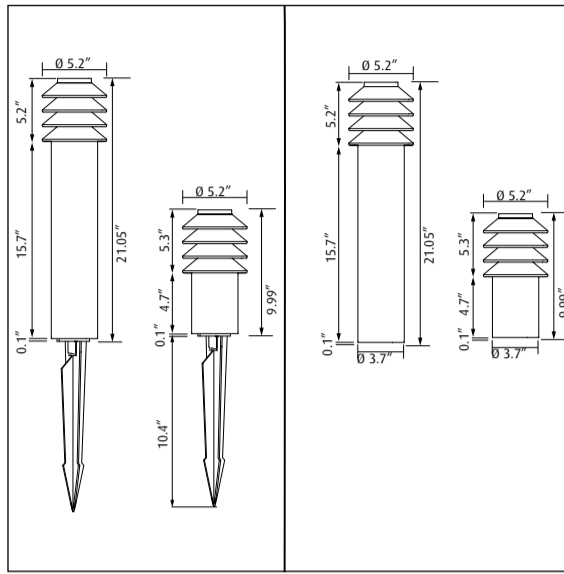
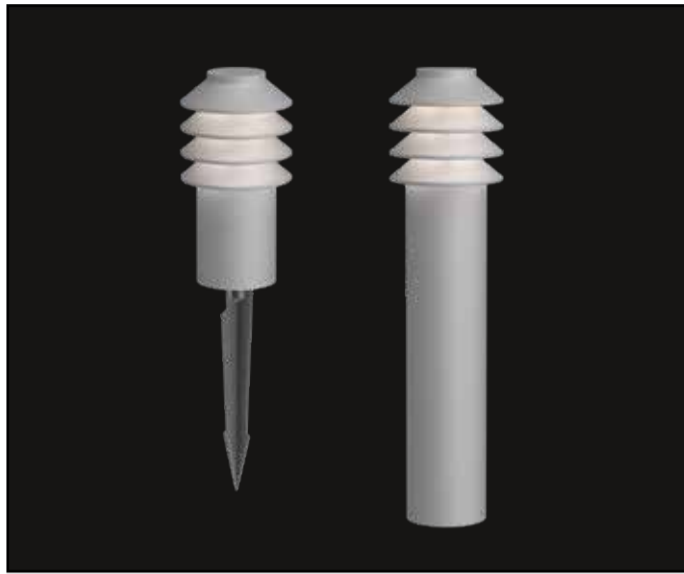
Product	Variant number
Power Supply for Base & Anchor Mount, 24VDC 100W 120-277V Input	10000158964
Power Supply with Cords for Spike Mount, 24VDC 100W 120V Input	10000158965

Data specifications


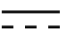
Colour	Black texture	Length	5.2
Width	5.2	Height	21
IP class	-	IK class	-
Class	-	Net Weight	5.7
Wind Load (ft2)	-	Standby (W)	-
Power Factor (P = 100 % / P = 50 %)	-	Inrush Current	-
Light source	-	Kelvin	3000
CRI	-	SDCM	-
Lumen	-	Watt	-
Efficacy	-	Light control	-
Min. Dim Level (%)	-	Surges	-
BUG Rating	-	L80B50 (hours)	-
Driver life	-		

Bysted Garden Anchor & Base

Design Peter Bysted



57511-14

Light source	Voltage/frequency	Weight	Ingress protection	Impact protection
LED 14W 	24Vdc Class 2 Power supply 	Max. 6.6 Lbs	Suitable for Wet location Anchor/Base: (Fixed installation) IP44	IK 06


Recommended cleaning substances:

Wipe off dust with a dry, soft cloth. Remove greasy spots etc. with a soft cloth dampened in lukewarm water (<122° F/ 50° C) with a mild detergent. Never use detergents containing abrasives and solvents.

Warning: Scouring powder and similar substances will scratch surfaces.

All installation is subject to local code and jurisdiction. Consult a qualified electrician to ensure correct branch circuit conductor.

The installer must ensure that the foundation is stable and can support the luminaire's weight. The Installer must use proper means to secure the luminaire to the ground.

 Due to possibility of personal injury or property damage, always contact a qualified electrician for servicing or repair of this fixture. To avoid risk of electrical shock, personal injury, or death, disconnect power to fixture before servicing.

Accessories can be bought at a local Louis Poulsen dealer, or at www.louispoulsen.com

EN
Extensions sold separately:

- Extension cord: 5747405316 GARDEN EXTENSION CABLE 5M
- T-Connector: 5747405303 GARDEN T-CONNECTOR

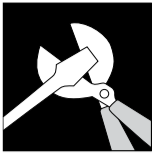
FR
Extensions vendues séparément:

- Rallonge électrique: 5747405316 GARDEN EXTENSION CABLE 5M
- Connecteur en T: 5747405303 GARDEN T-CONNECTOR

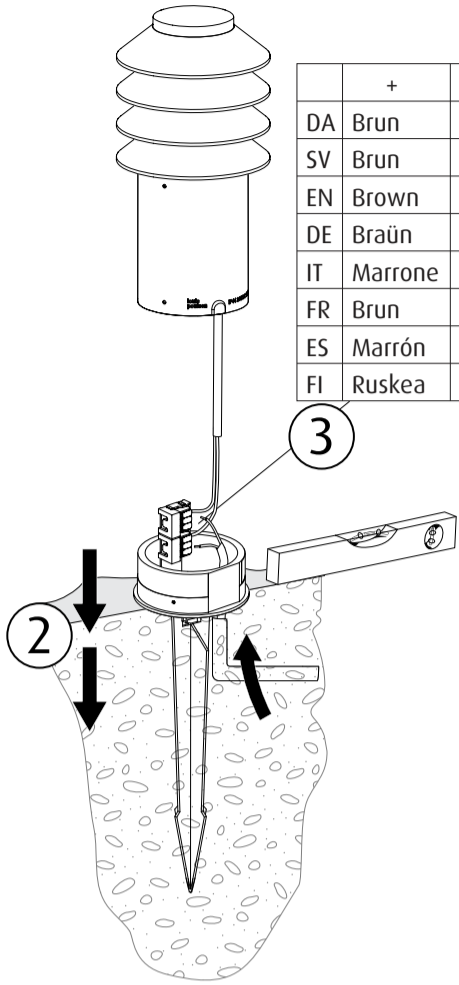
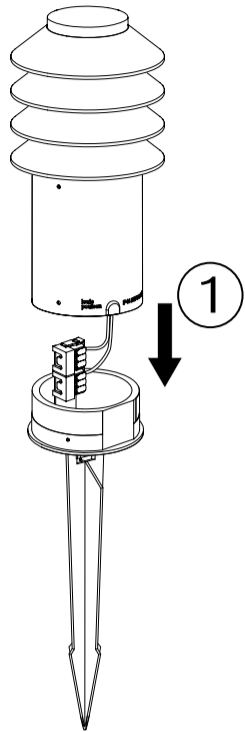
ES
Las extensiones se venden por separado:

- Cable de extensión: 5747405316 GARDEN EXTENSION CABLE 5M
- Conector en T: 5747405303 GARDEN T-CONNECTOR

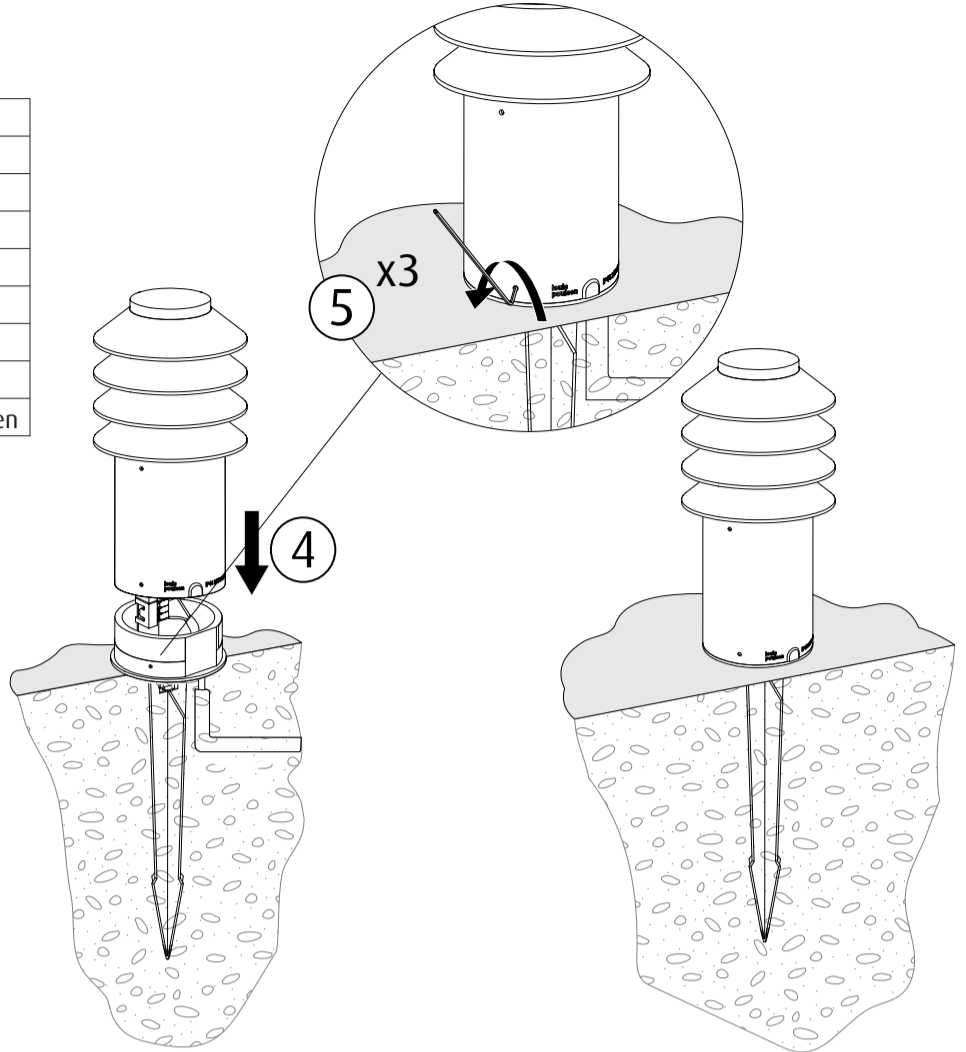
How to calculate the minimum size of power supply to the amount of bollards
(Amount of Bollards bought) x (Rated Wattage of Bollars) =Size of power supply needed)*
Eg. (Bysted Bollards) x (14 Watt) = 2 x 14 = Minimum 28 Watt Power supply needed *.
*Note: Use a Class 2 supply only



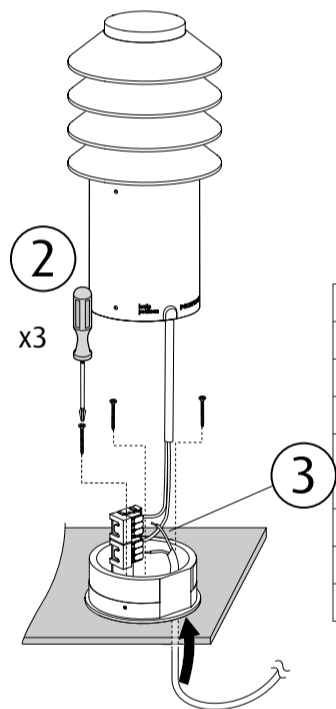
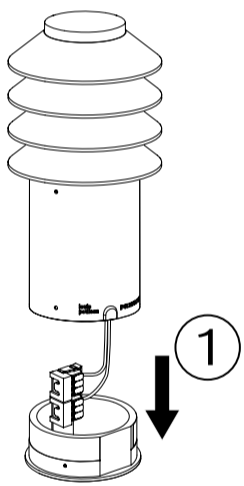
A



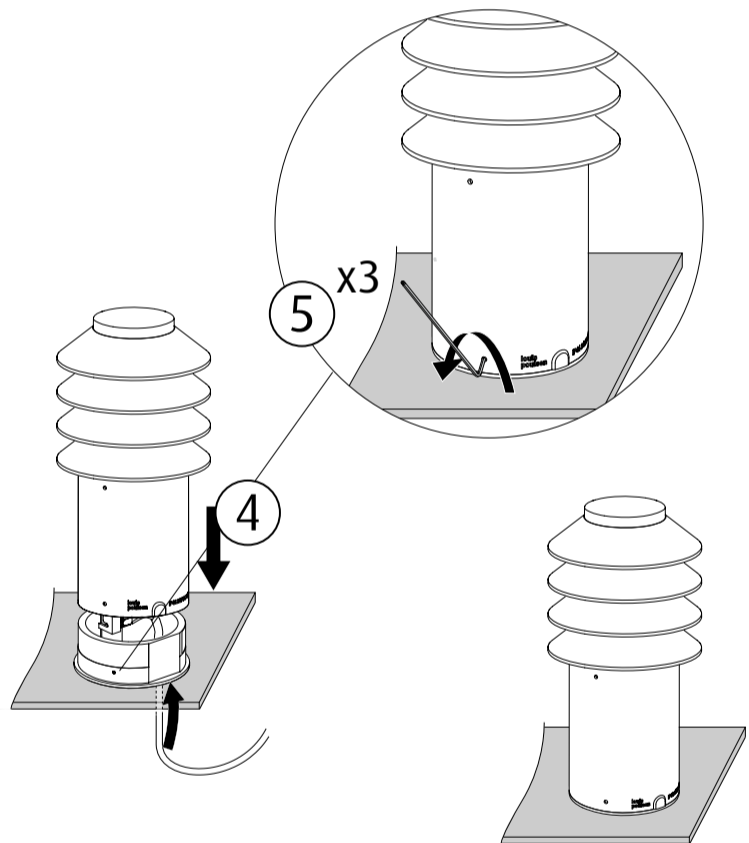
	+	-
DA	Brun	Blå
SV	Brun	Blå
EN	Brown	Blue
DE	Braün	Blau
IT	Marrone	Blu
FR	Brun	Bleu
ES	Marrón	Azul
FI	Ruskea	Sininen



B



	+	-
DA	Brun	Blå
SV	Brun	Blå
EN	Brown	Blue
DE	Braün	Blau
IT	Marrone	Blu
FR	Brun	Bleu
ES	Marrón	Azul
FI	Ruskea	Sininen



Distance from power supply to last bollard.

Wire Gauge \ Load in Watt	0-9 Watt	10-19 Watt	20-29 Watt	30-39 Watt	40-49 Watt	50-59 Watt	60-69 Watt	70-79 Watt	80-89 Watt	90-99 Watt
18 AWG	91 M 298 Ft	43 M 141 Ft	28 M 92 Ft	21 M 69 Ft	16 M 52 Ft	14 M 46 Ft	11 M 36 Ft	10 M 33 Ft	9 M 30 Ft	8 M 26 Ft
17 AWG	116 M 380 Ft	54 M 177 Ft	36 M 118 Ft	26 M 85 Ft	21 M 69 Ft	17 M 56 Ft	15 M 49 Ft	13 M 43 Ft	11 M 36 Ft	10 M 33 Ft
16 AWG	146 M 479 Ft	69 M 226 Ft	45 M 148 Ft	33 M 108 Ft	26 M 85 Ft	22 M 72 Ft	19 M 62 Ft	16 M 52 Ft	14 M 46 Ft	13 M 43 Ft
15 AWG	184 M 604 Ft	87 M 285 Ft	57 M 187 Ft	42 M 138 Ft	33 M 108 Ft	28 M 92 Ft	24 M 79 Ft	20 M 66 Ft	18 M 59 Ft	16 M 52 Ft
14 AWG	232 M 761 Ft	109 M 358 Ft	72 M 236 Ft	53 M 174 Ft	42 M 138 Ft	35 M 115 Ft	30 M 98 Ft	26 M 85 Ft	23 M 75 Ft	21 M 69 Ft
13 AWG	293 M 961 Ft	138 M 453 Ft	91 M 298 Ft	67 M 220 Ft	53 M 174 Ft	44 M 144 Ft	38 M 125 Ft	33 M 108 Ft	29 M 95 Ft	26 M 85 Ft
12 AWG	369 M 1210 Ft	174 M 571 Ft	114 M 374 Ft	85 M 279 Ft	67 M 220 Ft	56 M 184 Ft	48 M 157 Ft	42 M 138 Ft	37 M 121 Ft	33 M 108 Ft