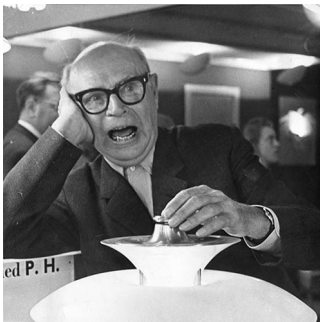


PH 3-2½ BOLLARD

PH32,5-B / A-19/IF medium / 120V / Black / - / - / - / - / 10000124039

The fixture is designed based on the principle of a reflective three-shade system, which directs the majority of the light downwards. The shades have a matte white painted interior surface, diffusing the light in a comfortable way.



Poul Henningsen

Poul Henningsen was born in Copenhagen by the famous Danish writer Agnes Henningsen. He never graduated as an architect, but studied at The Technical School at Frederiksberg, Denmark from 1911-14, and then at Technical College in Copenhagen from 1914-17.



Product info

Environmental Product Specification

This product is compliant with the requirements contained in the European Directives, RoHS Directive 2011/65 and 2015/863. This product is designed so that 100% of the product can be disassembled and reused.

Information

Electrical: Maximum Lamp Wattage: 60W Delivered lumens: 720 lm Efficacy: 12.0 lm/W Certifications: cULus, Wet Location Protection class IP65 IK class 05 BUG Rating: B0-U3-G1 Controllability: Phase dimming.

Mounting

Base plate dimension: 6" diameter. Base plate: Mounted to a concrete base with 3 anchor bolts on a bolt circle of 3.54" diameter. Installation: Refer to mounting instruction download for installation details.

Finish

Black, powder coated.

Materials

Top shade: Spun stainless steel. Middle/lower shade: Spun stainless steel. Shadeholder: Die formed glass. Post: Stainless steel. Base plate: Stainless steel.

Sizes and weight

Width x Height x Length (in.) | 11.7 x 35.8 x 11.7 Max 8.0 lbs

Compliance

cULus, Wet location.

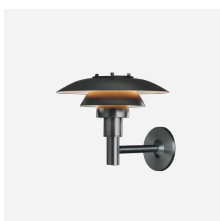
Light source

A-19/IF medium

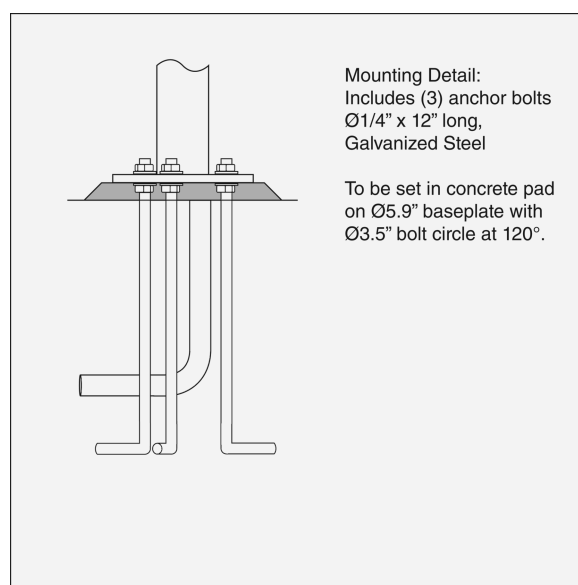
Information

Electrical:
Maximum Lamp Wattage: 60W
Delivered lumens: 720 lm
Efficacy: 12.0 lm/W
Certifications:
cULus, Wet Location
Protection class IP65
IK class 05
BUG Rating: B0-U3-G1
Controllability: Phase dimming.

Related products

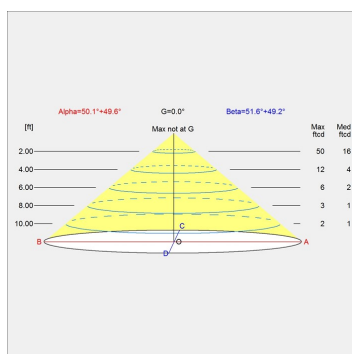


PH 3-2½ Wall

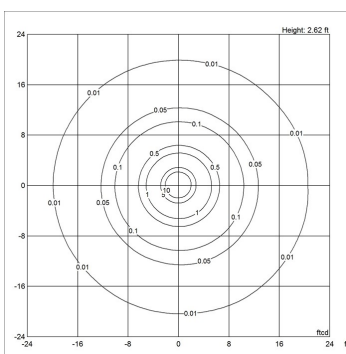


Light distribution diagrams

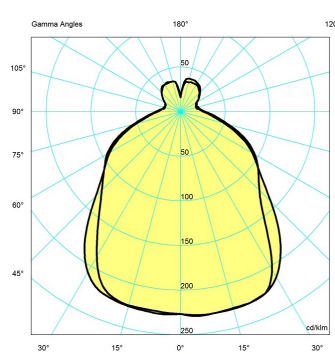
Cartesian



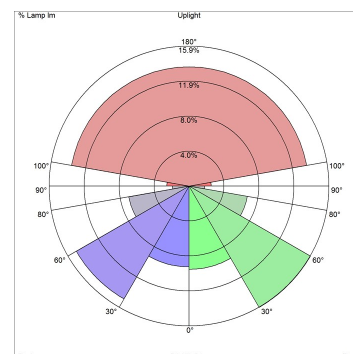
Isolux



Polar



Bug



Spare parts & accessories

Product

PH 3-2½ BOL/WAL, TOP SCREWS, 3 PCS. BLK.
 PH 3-2½ BOL/WAL, GLASS
 PH3-2½ BOL./TOLDBOD BOL.EARTH ANCHOR NEW

Variant number

5747293405
 5747293418
 5747293696

Data specifications

Colour	Black	Length	11.7
Width	11.7	Height	35.8
IP class	44	IK class	-
Class	I	Net Weight	8.0
Wind Load (ft2)	-	Standby (W)	-
Power Factor (P = 100 % / P = 50 %)	-	Inrush Current	-

PH 3-2½ Bollard

Light source	A-19/IF medium
CRI	-
Lumen	-
Efficacy	-
Min. Dim Level (%)	-
BUG Rating	B0 U3 G1
Driver life	-

Kelvin	-
SDCM	-
Watt	-
Light control	-
Surges	-
L80B50 (hours)	-